

**SUNITEC ENTERPRISE CO.,LTD.**  
**Bluetooth transmitter (UT02C)**  
**SPECIFICATION FOR APPROVAL**

客户名称:

**Customer** \_\_\_\_\_

产品方案:

**Product proposal**   **QCC3086**  

客户编号

**Description** \_\_\_\_\_

本司料号:

**Part No**                   **FBM.UT02DONGLG1**                  

硬件版本

**Hard Ver.**                   **V0.2**                  

软件版本

**Soft Ver.**                   **V0.0.7**                  

文档版本

**Doc. Ver.**                   **V0.2**                  

本司确认 (ITON Approval)				
核准 Approved 签章 Stamp	工程师 R&D	制作 Prepared	日期 Date	备注 Remark
	Ray	Vic	2023/8/29	
客户确认(CUSTOMER Approval)				
核准 Approved 签章 Stamp	工程 R&D	制作 Prepared	日期 Date	备注 Remark
确认结果:	合格 (pass) <input type="checkbox"/>		不合格 (Fail) <input type="checkbox"/>	其他 <input type="checkbox"/>

Sunitec Electronics Technology Limited.

Add: Building C No.725 , WeiXiangTai Industrial zone, FuCheng street , LongHua district , ShenZhen, GuangDong, China  
(ZIP:518110)

TEL: 86-755-28016180

FAX: 86-755-28016097

Email: sales@sunitec-cn.com /manager@sunitec-cn.com

http://www.sunitec-cn.com

# 1. introduction to products

Product Type: UT02C

This documentation describes the engineering requirements specification of QCC3086 Bluetooth Chip.

## 2.Product Appearance



## 3. Function Definition

<b>Core Solutions and Technologies</b>	Bluetooth SoC QCC3086, Bluetooth version V5.4
<b>Product Type</b>	USB Bluetooth Transmitter
<b>Product Main Features</b>	Support LE Audio Functions and Classic Functions: <ul style="list-style-type: none"><li>● LE Audio CIS</li><li>● LE Audio BIS (Auracast)</li><li>● Gaming Mode (GMAP)</li><li>● Classic Bluetooth</li></ul>
<b>Working Distance</b>	> 10M
<b>Codec</b>	LE Audio: LC3 Classic BT: APTX-LL & APTX-HD & APTX & AptX Adaptive & SBC Gaming Mode (GMAP) : AptX Lite
<b>Low Latency</b>	27ms (GMAP Gaming Mode)
<b>Input Voltage/Current</b>	5V/12mA
<b>RF Output power</b>	11dB
<b>Key Definition</b>	Touch Button*1 Short press: Waking up a standby device Double click: Enter and exit Gaming Mode Three click: Enter and exit broadcast Mode Long press 3S: go to pairing status Long press 8S: Factory Reset Remarks: See details UI Spec
<b>Interface Definition</b>	USB Type-C: <ol style="list-style-type: none"><li>1. USB Audio Class 2.0</li><li>2. 48kHz input and output</li></ol>
<b>LED Display</b>	LED*1 (four colors: White / Yellow / Blue / Red) Remarks: See details UI Spec
<b>HIDDFU</b>	Yes

## 4 . Soc Specification parameter

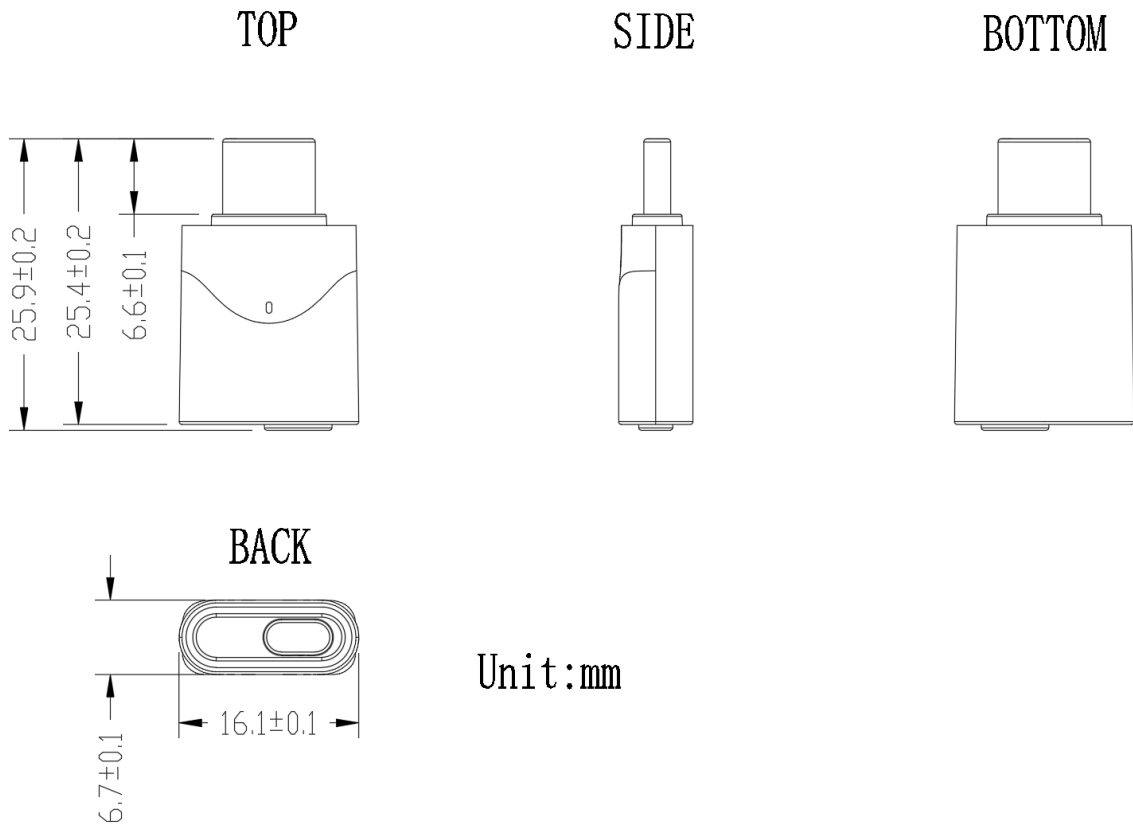
- Qualified to Bluetooth v5.4 specification
- 240 MHz Qualcomm® Kalimba™ audio DSP
- 32/80 MHz Developer Processor for applications
- Firmware Processor for system
- Flexible QSPI flash programmable platform
- High-performance 24-bit stereo audio interface
- Digital and analog microphone interfaces
- Flexible LED controller and LED pins with PWM support
- Serial interfaces: UART, Bit Serializer (I<sup>2</sup>C/SPI), USB 2.0
- Advanced audio algorithms

## 5.physical characteristics

### 5.1 Structure size

Size: 25.9\*16.1\*6.6mm±0.2mm

Weight : 3.2g

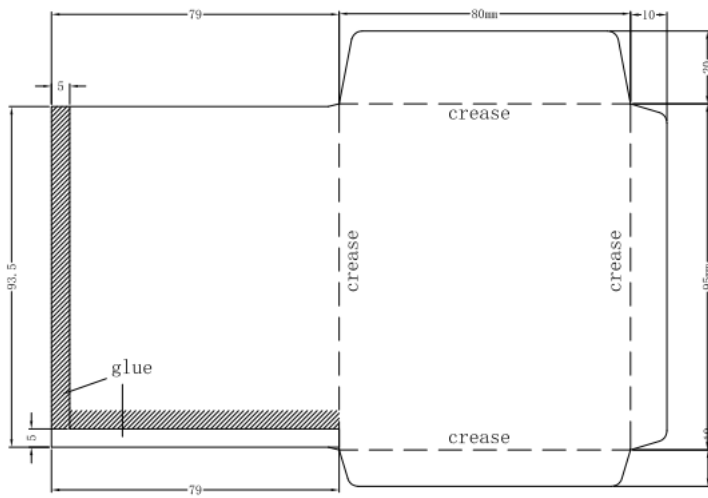


## 5.2 Structural composition

Item	Designation	Materials/Color	Surface treatment process
1	Main body cover	PC+ABS /Black	/
2	Rear support bracket	PC+ABS/ Black	/
3	Button	PC+ABS/ Black	/
4	Pilot lamp	ABS/ Translucency	/

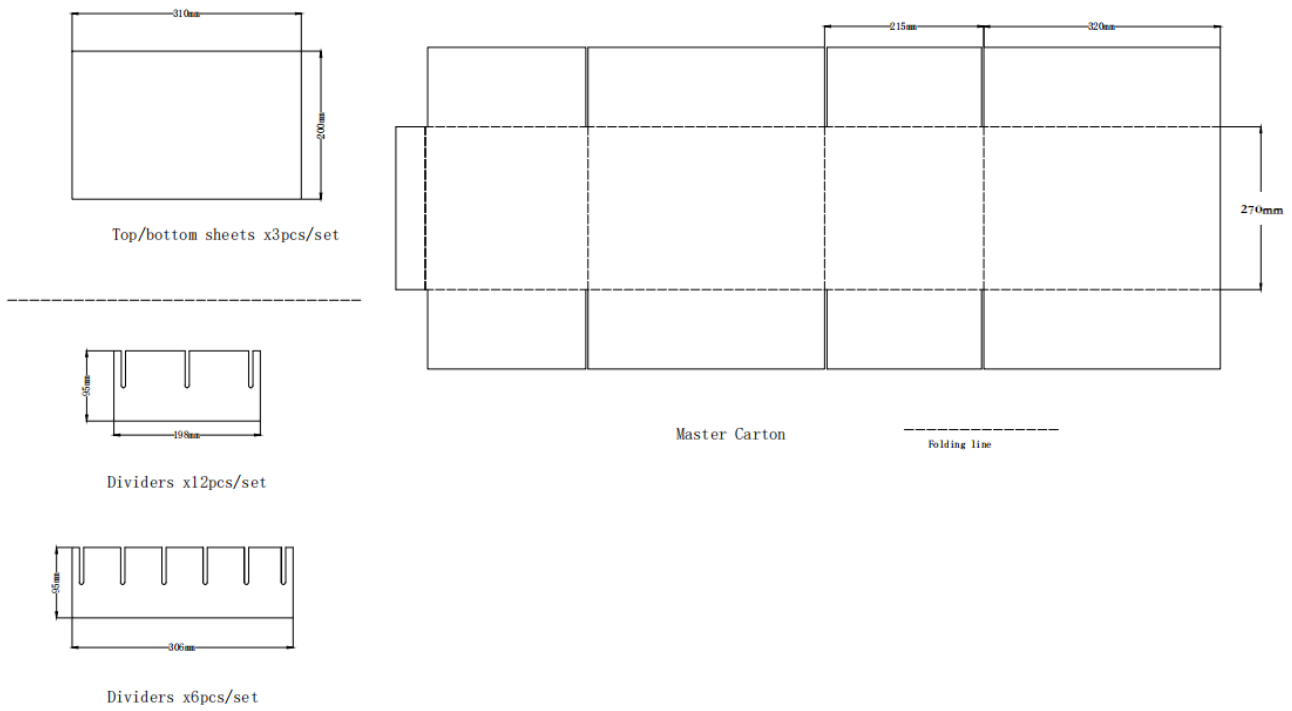
## 6.Packaging

6.1The products are packed in kraft paper bags,

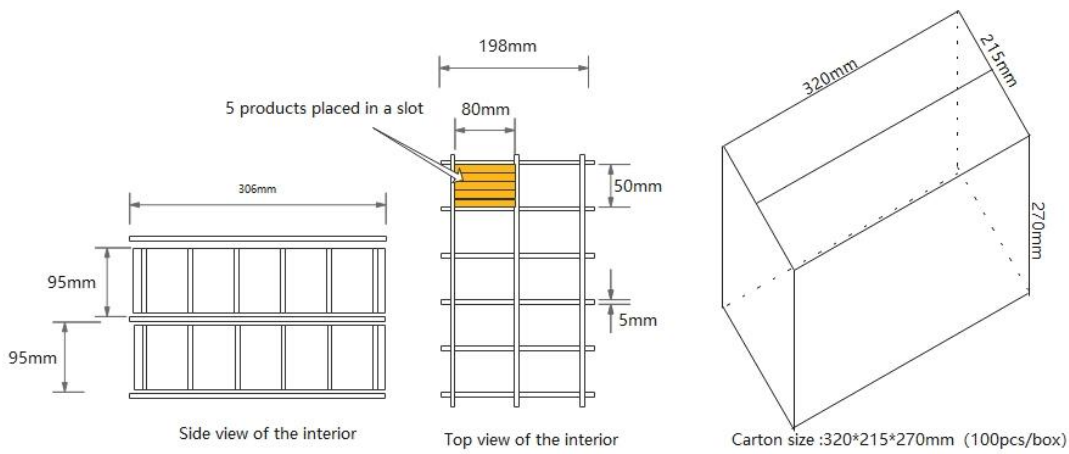


120 gram refine kraft paper

6.2 cartoon box material size(Each case contains 100pcs of products)



6.3 The interior structure of the cartoon box Size: 320\*215\*270mm



6.4 Packing requirements for cartoon boxes:

- 5pcs are placed in a slot
- 50pcs in one layer(two-layer)
- 100pcs in a cartoon box